



K X H

**Vertical, Single Stage Circulating Pump
with Mixed Flow Bowls**



KXH Water Pumps

For over 50 years the name Ruhrpumpen has been synonymous worldwide with innovation and reliability for pumping technology.

Vertical pumps consist of a bowl assembly, single stage or multistage, suspended on a discharge column from baseplate at the mounting floor.

The length of the column is dictated by the application. Vertical wet pit pumps of bowl construction have certain inherent advantages over all other pump types:

1. They can be designed with high efficiency over the entire specific speed range, with specific speed indicating the desired flow to head ratio.
2. The available net positive suction head at the first stage impeller can be increased by increasing the pump length (lowering).
3. The pump, is self-aligning in that all critical flanged joints have mating male and female rabbet fits.

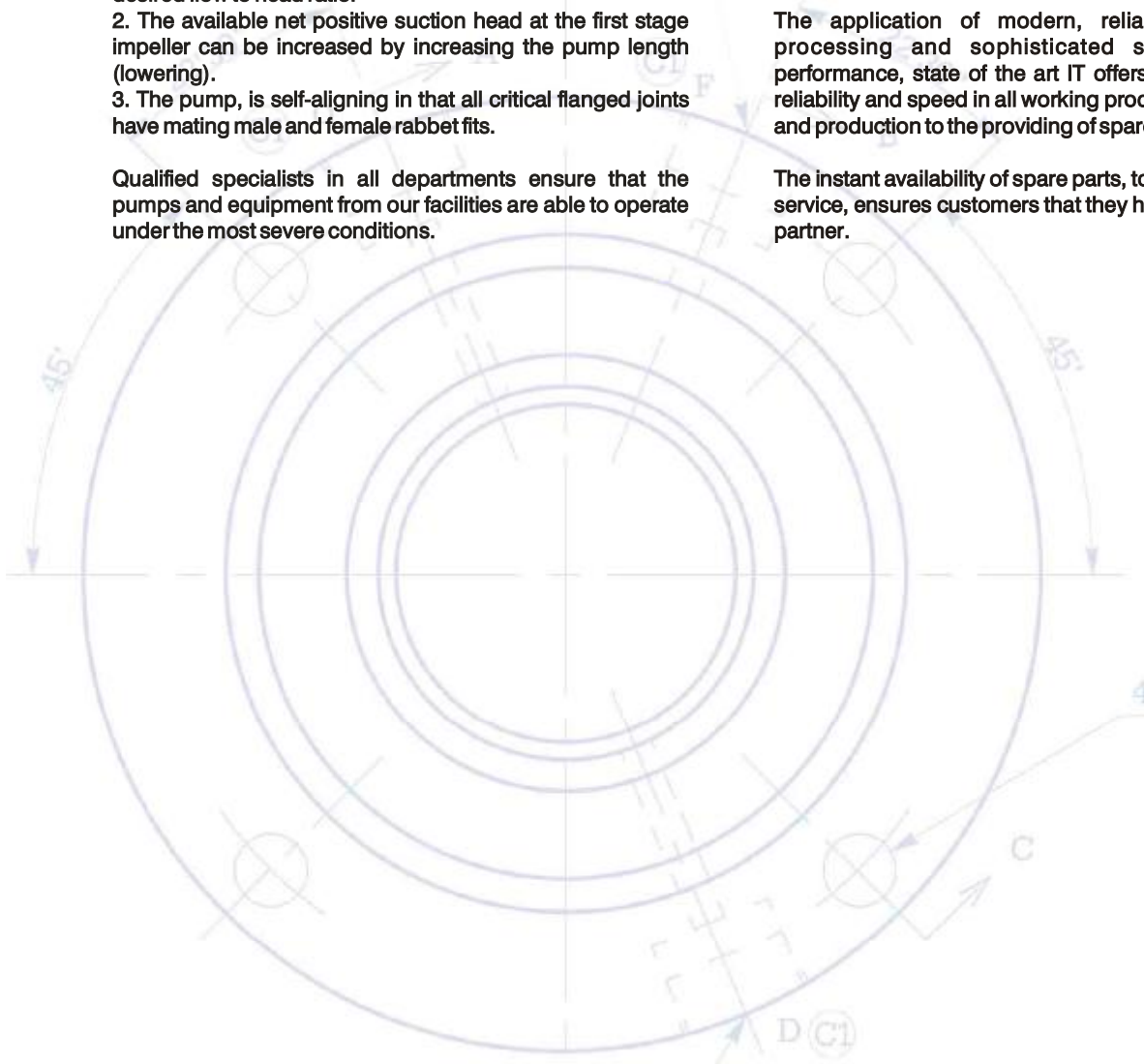
Qualified specialists in all departments ensure that the pumps and equipment from our facilities are able to operate under the most severe conditions.

Intensive research and development ensures that the products of Ruhrpumpen Products are continuously improved to meet the latest technical requirements.

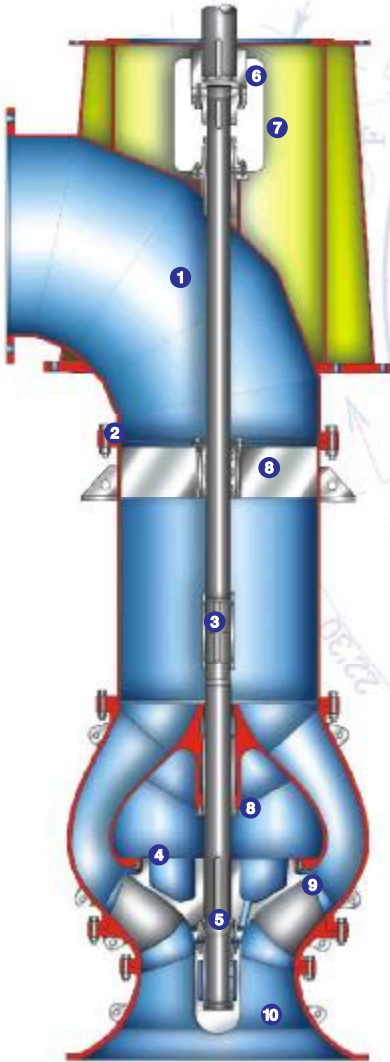
It is only possible to achieve these aims by means of highly sophisticated CNC controlled machines in our modern machine shop, supplemented by our test and development departments as well as the latest industry standard inspection and control procedures. All in our ISO 9001 certified facilities.

The application of modern, reliable methods, data processing and sophisticated software with high performance, state of the art IT offers our customers high reliability and speed in all working processes, from planning and production to the providing of spare parts.

The instant availability of spare parts, together with first class service, ensures customers that they have selected the right partner.



Vertical Wet Pit Pumps



- 1 **Better Flow.** Mitred discharge elbow reduces flow losses.
- 2 **Positive Alignment.** Heavy-duty flanges have registered fit for true alignment.
- 3 **Fast Assembly/Dissassembly.** Made possible by rigid, sleeve-type couplings. Ensures proper alignment.
- 4 **Thrust Control.** Hub wear ring features a choice of balance diameters sized to control thrust.
- 5 **Secure Impellers.** Split ring, keyed impeller mounting is safe and secure.
- 6 **Positive Alignment.** All metal three-piece adjustable coupling ensures positive, foolproof shaft alignment. Also available: four piece spacer coupling.
- 7 **Easy Maintenance.** Large access window for fast, easy maintenance of coupling and stuffing box areas.
- 8 **Flanged Bearings-Bronze or Rubber.** Flanged bearings in bronze or rubber with bronze or stainless-steel shell to handle a wide variety of pumped fluids.
- 9 **Impellers.** Choice of semi-open or closed impellers for various pumping conditions.
- 10 **Less Downtime.** Bottom bearing keeps shaft aligned... Is permanently grease-packed for long service life.
- 11 **Choice of Design.** Above base or below base discharge to meet piping requirements. Flanged or plain-end pump discharge... Both designed to withstand side thrust. Rugged discharge head has double walls to minimize vibration and distortion problems.



Column Construction. Sections have welded-in inner column with O-ring seals. Maximum bearing span is 10 feet for better alignment. (Open line shaft also available for self-lube pumps).

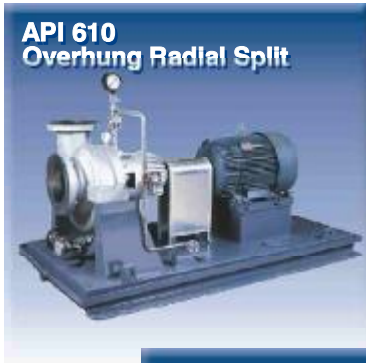
Product Description

Vertical space saving construction.
 Open, semi-open and closed impellers available for wide range of applications.
 Oil, fresh water or self lube column construction.
 Engineered to customer specifications.
 Wide range of impeller designs and specific speeds (1800-14000) for optimum hydraulic coverage.
 Integral bearing retainer.
 Sizes 20 in (500 mm) to 120 in (3000 mm).
 Above ground or below ground discharge.
 Packed stuffing box or mechanical seal.
 Optional pull-out design for ease in maintenance.
 Pump mounted thrust bearings when required.

Broad Application Range

Power Generation.
 Condenser cooling water service.
 Cooling tower service.
 Flood service.
 Storm water disposal.
 Water treatment.

Other Ruhrpumpen Products



Ruhrpumpen, Inc.
4501 South 86th East Ave.
Tulsa, Oklahoma 74145 USA
Phone: 918-627-8400
Fax: 918-624-2471
e-mail: info@ruhrpumpen.com

Ruhrpumpen GmbH
Stockumer Straße 28 58453 Witten/Germany
P.O. Box 63 09 58432 Witten/Germany
Phone: (+ +49) 23 02/661-03
Fax: (+ +49) 23 02/661-3 03
e-mail: info@ruhrpumpen.de

Ruhrpumpen, S.A.
Níquel No. 9204 Ciudad Industrial Mitras,
García, N.L. México 66000
Phone: (+52)(81) 8158-5500
Fax: (+52)(81) 8158-5501
e-mail: wdm@corporacioneg.com

www.ruhrpumpen.com
e-mail: info@ruhrpumpen.com

A/March/02



Specialist for Pumping Technology

A
Corporación 
Company

For more information:

