



C P P-21

**Heavy Duty, Single Stage, Overhung,
ANSI B73.1 Chemical Process Pump**



CPP-21 Process Pump

For over 50 years the name Ruhrpumpen has been synonymous worldwide with innovation and reliability for pumping technology.

The CPP-21 line is designed to meet and exceed ANSI B73.1 M specification. Like all CPP-21 pumps, they are designed around a single, basic hydraulic and mechanical design concept which assures of the greatest efficiencies across the broad range of operating conditions, the greatest application flexibility and superior interchangeability.

This rugged chemical process pump is designed to operate dependably in the toughest industrial applications.

The CPP-21 line features 28 sizes to precisely meet service conditions within a wide range of hydraulic parameters. The line was also designed to accommodate many different optional features as inducers for low NPSH available applications, labyrinth seals for bearing housings, wear rings on casing and impeller or water jackets for stuffing boxes and bearing housings.

From the beginning, interchangeability of parts has been a design objective. This means that you can benefit from parts interchangeability among many different types of pumps at your plant with substantially reduced inventory for major pump components.

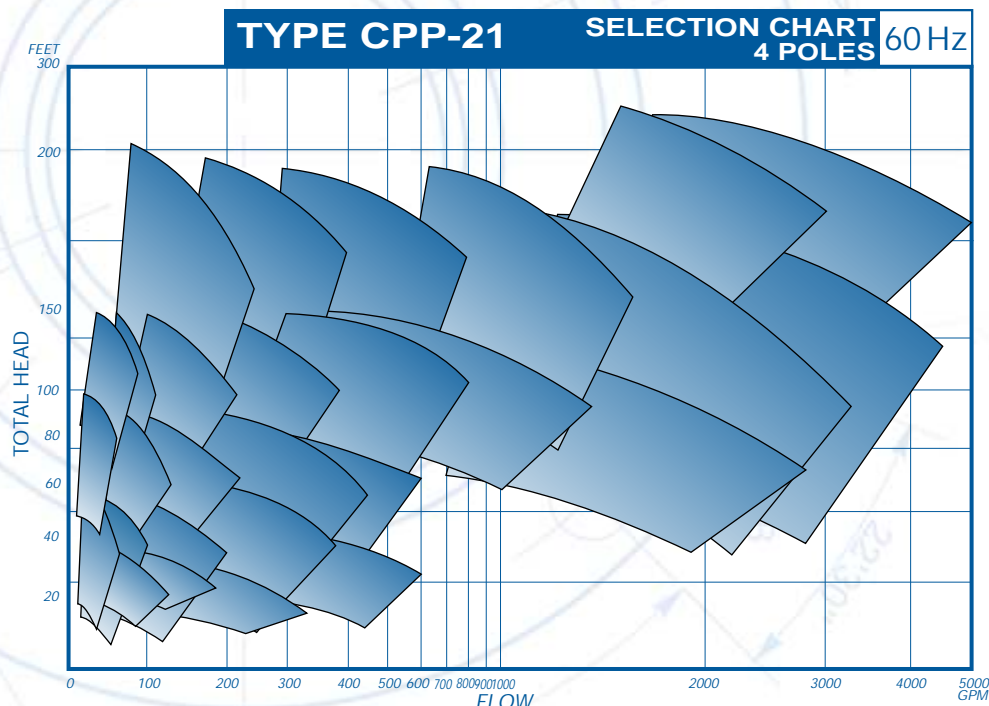
Qualified specialists in all departments ensure that the pumps and equipment from our facilities are able to operate under the most severe conditions.

Intensive research and development ensures that the products of Ruhrpumpen are continuously improved to meet the latest technical requirements.

It is only possible to achieve these aims by means of highly sophisticated CNC controlled machines in our modern machine shop, supplemented by our test and development departments as well as the latest industry standard inspection and control procedures. All in our ISO 9001 certified facilities.

The application of modern, reliable methods, data processing and sophisticated software with high performance, decentralized computers and personal computers offers our customers high reliability and speed in all working processes, from planning and production to the providing of spare parts.

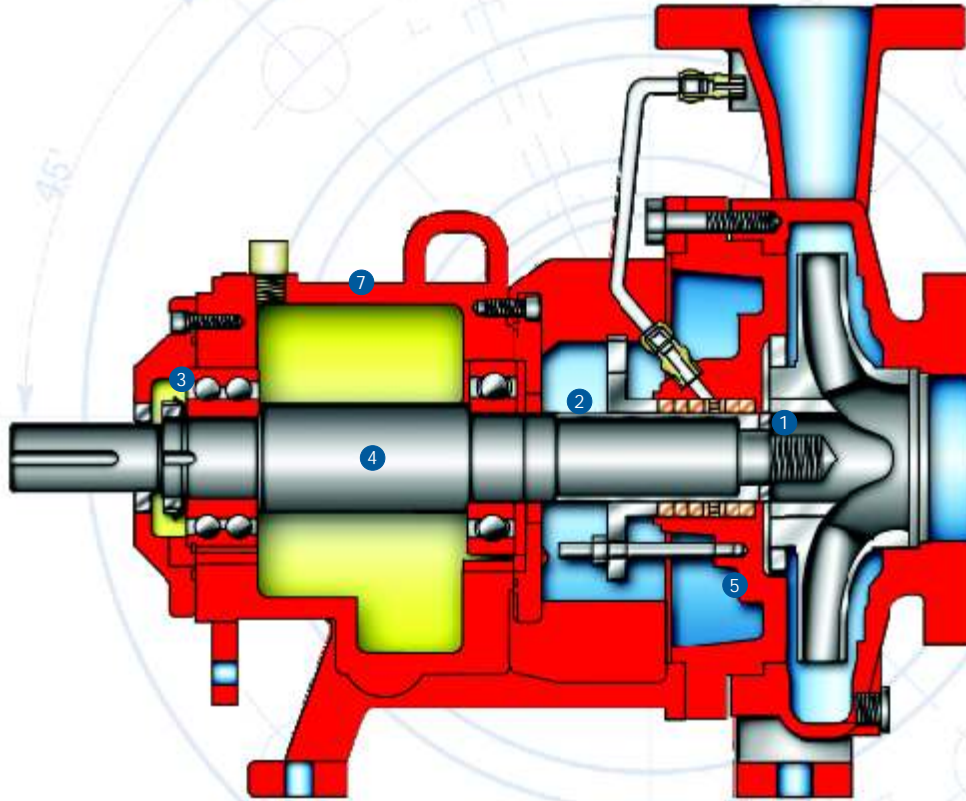
The instant availability of spare parts, together with first class service, ensures customers that they have selected the right partner.



C P P-21



Fully Compliant with ANSI B73.1M



- 1 Positive liquid sealing at impeller. Impeller threaded on shaft with "O" ring for positive seal, no bolt to corrode or gaskets to leak.
- 2 Stainless steel shaft sleeve on ductile iron pumps and alloy shaft sleeve on alloy pumps.
- 3 Double row thrust bearing provides minimum shaft end play for extended mechanical seal life.
- 4 Heavy duty shaft designed for toughest services. Insures long seal and bearing life, less maintenance.
- 5 Stuffing box cover for packing or mechanical seal applications, inside or outside, double or single, balanced or unbalanced seals with any required gland connections. Big bore stuffing box design is available for better cooling and circulating to the seal faces.
- 6 Enclosed impeller design for highest efficiency and optional inducer for low NPSH available applications.
- 7 Power frame with fins for better heat dissipation.

Product Description

- ✓ Single stage horizontal centrifugal pump.
- ✓ Vertically split casing with flanged connections horizontal end suction and vertical discharge on the center line enclosed impeller, clock-wise rotation (viewed from coupling end).
- ✓ Foot mounted.
- ✓ Oil lubricated.
- ✓ ANSI std. B-73-1.
- ✓ "Back pull-out" design allows pump disassembly without disturbing pipe connections.
- ✓ Stuffing box choices allows for packing, std. seals or new larger seals.

Broad Application Range

- ✓ Chemical.
- ✓ Industrial.
- ✓ General Service.

Performance Data

Capacity	To 5000 U.S. gpm
Head	To 770 feet
Flange size	1" to 8" Discharge
Pressure	To 375 psig 4600 KPa
Temperature	-50°F to 850°F

Other Ruhrpumpen Products



Ruhrpumpen, Inc.
4501 South 86th East Ave.
Tulsa, Oklahoma 74145 USA
Phone: 918-627-8400
Fax: 918-624-2471
e-mail info@ruhrpumpen.com

Ruhrpumpen GmbH
Stockumer Strasse 28 58453 Witten/Germany
P.O. Box 63 09 58432 Witten/Germany
Phone: (+ +49) 23 02/661-03
Fax: (+ +49) 23 02/661-3 03
e-mail: info@ruhrpumpen.de

Ruhrpumpen, S.A.
Niquel No. 9204 Ciudad Industrial Mitras,
García, N.L. México 66000
Phone: (+52)(81) 8158-5500
Fax: (+52)(81) 8158-5501
e-mail: info@corporacioneg.com

www.ruhrpumpen.com
e-mail: info@ruhrpumpen.com

B/April/05



Specialist for Pumping Technology

A
Corporación 
Company

For more information:

